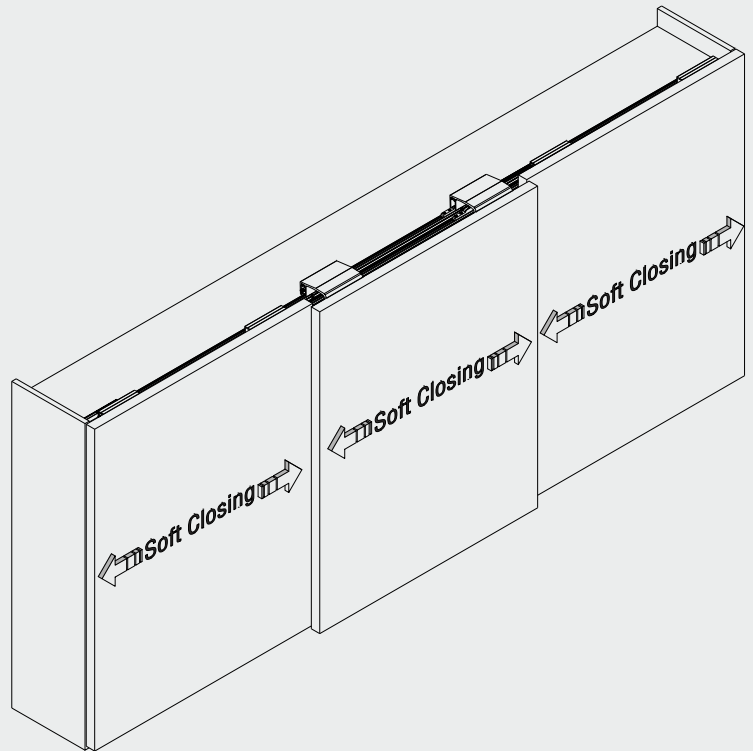
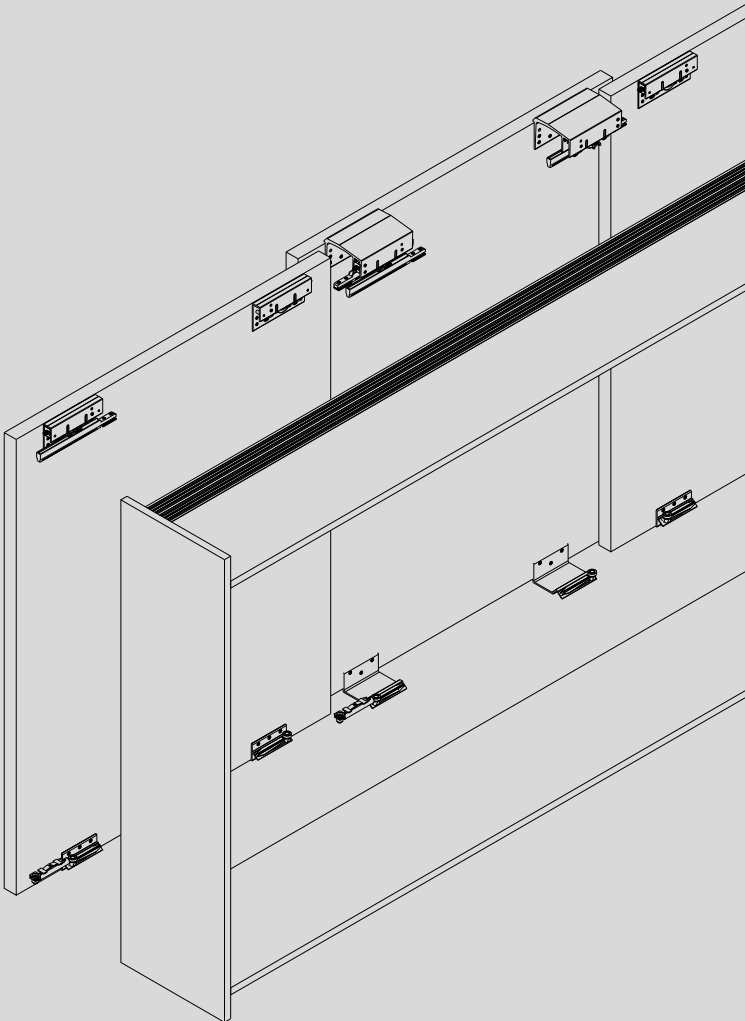
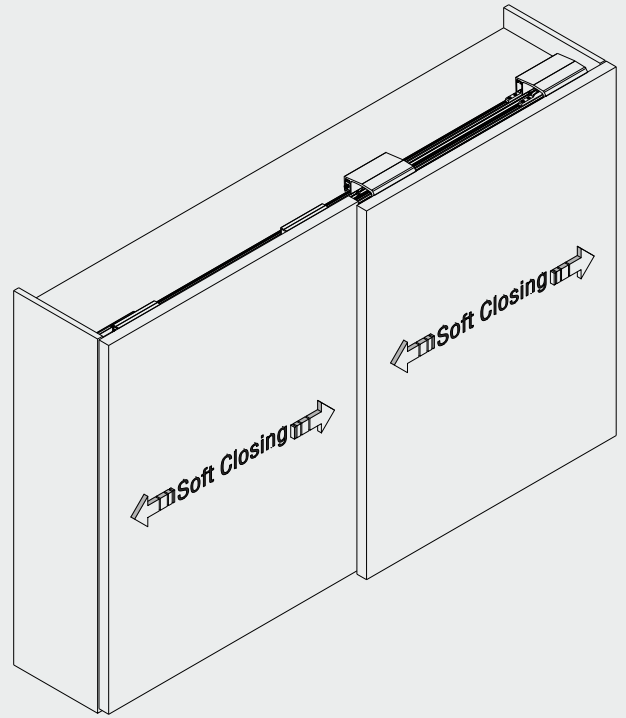
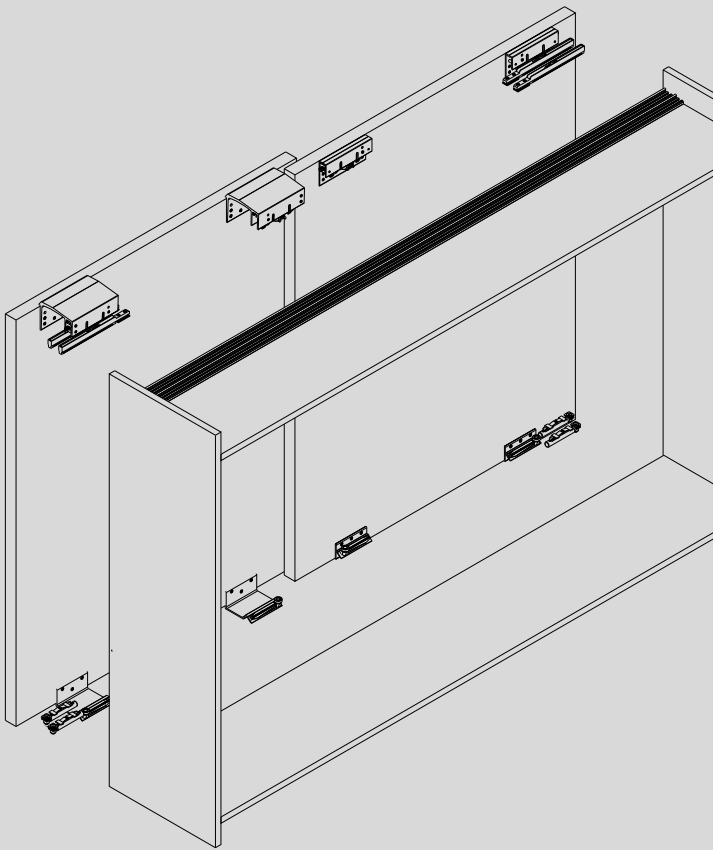


8200 SFT installation

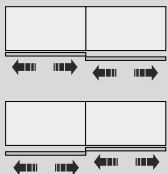
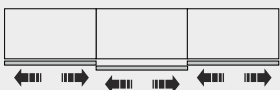


Sliding door system 8200 SFT

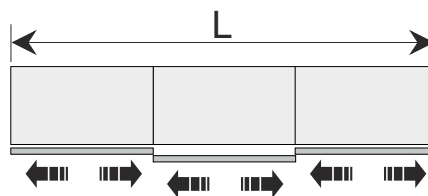
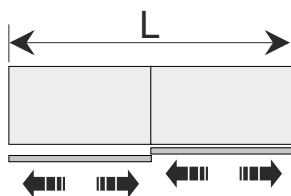
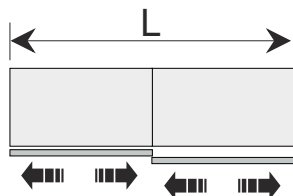
For All cabinet designs
Set pack for ordering



System components

Article	Door Thickness (mm)	EB	Order no. with Soft closers	PU	Minimum quantity
For 2-door cabinets 	16 - 18 - 19 - 20	30	8220 SFT	1	6
	22 - 25 - 28	36	8230 SFT	1	6
	30 - 35	45	8235 SFT	1	6
	40 - 50	59	8250 SFT	1	6
For 3-door cabinets Centre door for opening only RIGHT or only LEFT 	16 - 18 - 19 - 20	30	8220 SFT	1	6
			8200C	1	6
	22 - 25 - 28	36	8230 SFT	1	6
			8200C	1	6
	30 - 35	45	8235 SFT	1	6
			8200C	1	6
	40 - 50	59	8250 SFT	1	6
			8200C	1	6

Profile sets

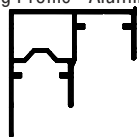


Running Profile - Aluminium Rail



7234

Guiding Profile - Aluminium Rail



7225

Article	L Cabinets length (mt)	Order no. running & guiding profiles	PU	Minimum quantity
Profile set 1 for	2.00	7234 01	1	6
	2.00	7225 01	1	6
2 or 3 - door cabinets 2.50 mt	2.50	7234 02	1	6
	2.50	7225 02	1	6
2 or 3 - door cabinets 3.00 mt	3.00	7234 03	1	6
	3.00	7225 03	1	6
2 or 3 - door cabinets 4.00 mt	4.00	7234 04	1	6
	4.00	7225 04	1	6

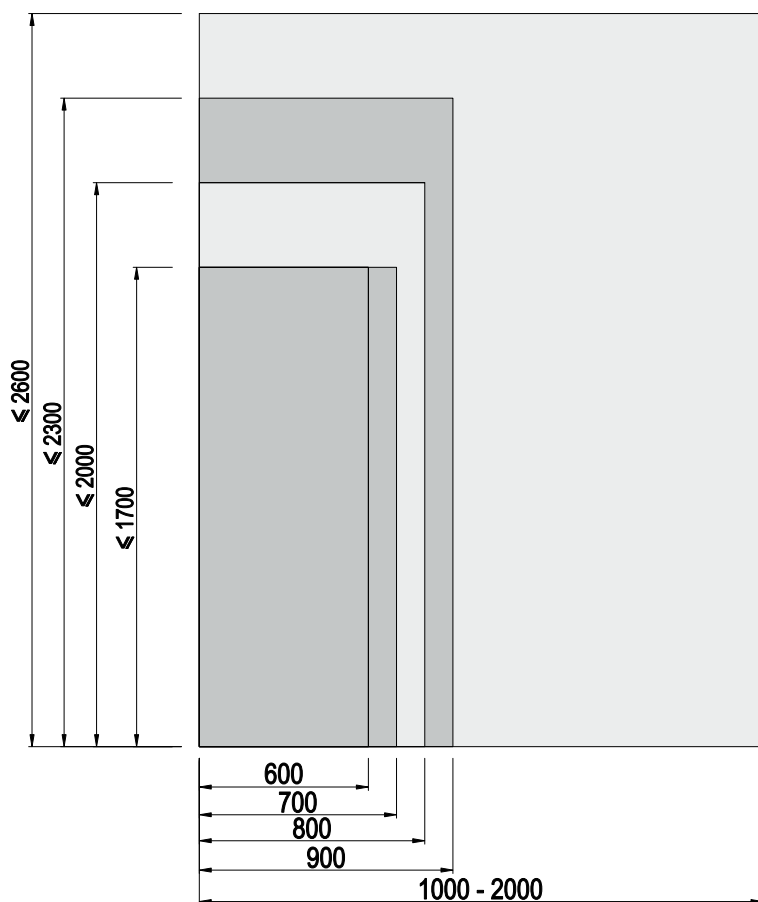
Recommended installation dimensions. All technical details are subject to change by Albaturo Co.

Sliding door system 8200 SFT

Two & Three -door desingn of closing and colliding direction
System information



Technical details



Information

Two roller , top running Adjustable sliding door system

Able to use soft closing all sides

Overlay door position

Usable for 2 / 3 / 4 doors cabinets

Door weight up to 80 kg
Minimum door weight 25 kg

Door height up to 2700 mm

Door width 600 - 2000 mm

Door thicknesses
16 - 18 - 19 - 20 - 22 - 25 - 28 - 40 - 50 mm

Safety with rail lock

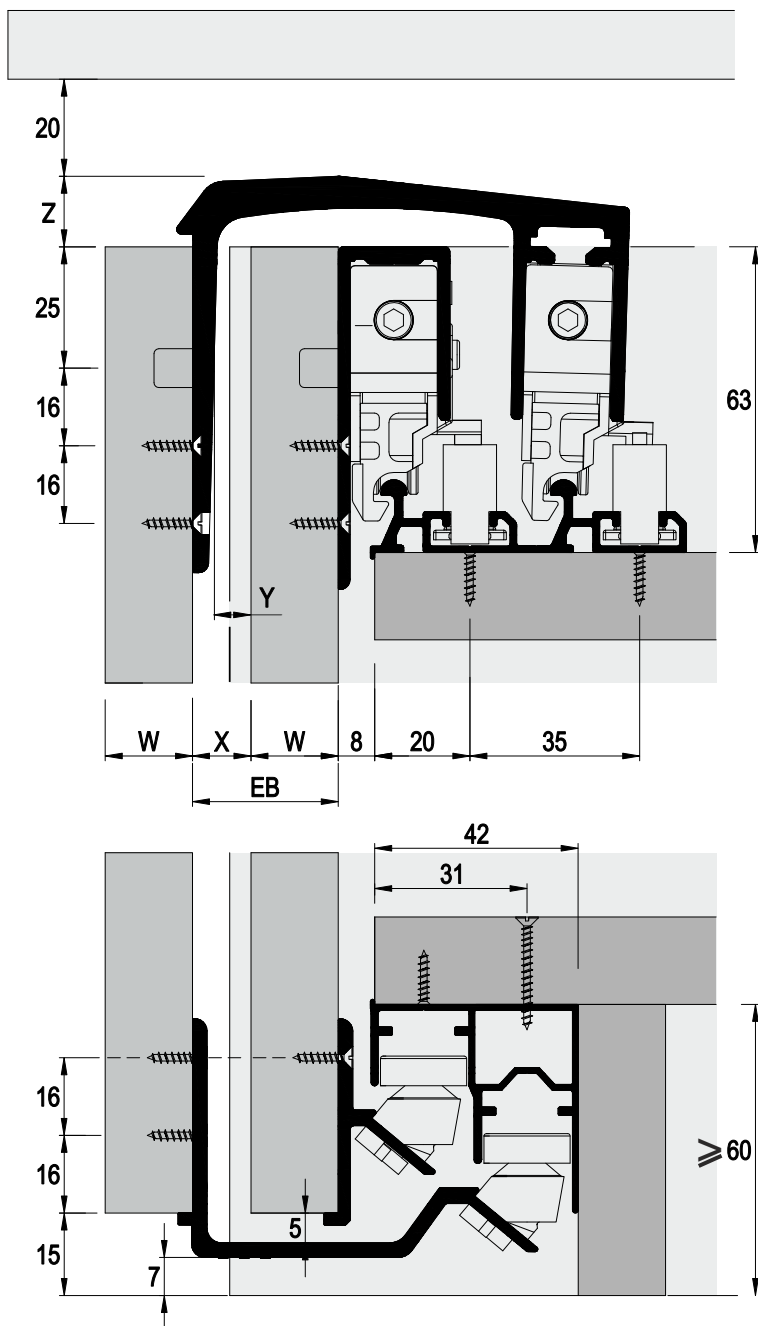
Fast installation

Sliding door system 8200 SFT

Two & Three -door desingn of closing and colliding direction
Fitting situation for profiles and system components



Planning dimensions



Door Thickness W	Article	Installed Width EB	Distance between doors		
			X	Y	Z
16	8220 SFT	30	14	9	13
18	8220 SFT	30	12	7	13
19	8220 SFT	30	11	6	13
20	8220 SFT	30	10	5	13
22	8230 SFT	36	14	9	13
25	8230 SFT	36	11	7	13
28	8230 SFT	36	9	5	13
30	8235 SFT	45	15	10	13
35	8235 SFT	45	10	5	13
40	8250 SFT	59	19	13	13
44	8250 SFT	59	15	9	13
50	8250 SFT	59	9	5	13

Recommended installation dimensions. All technical details are subject to change by Albatour Co.

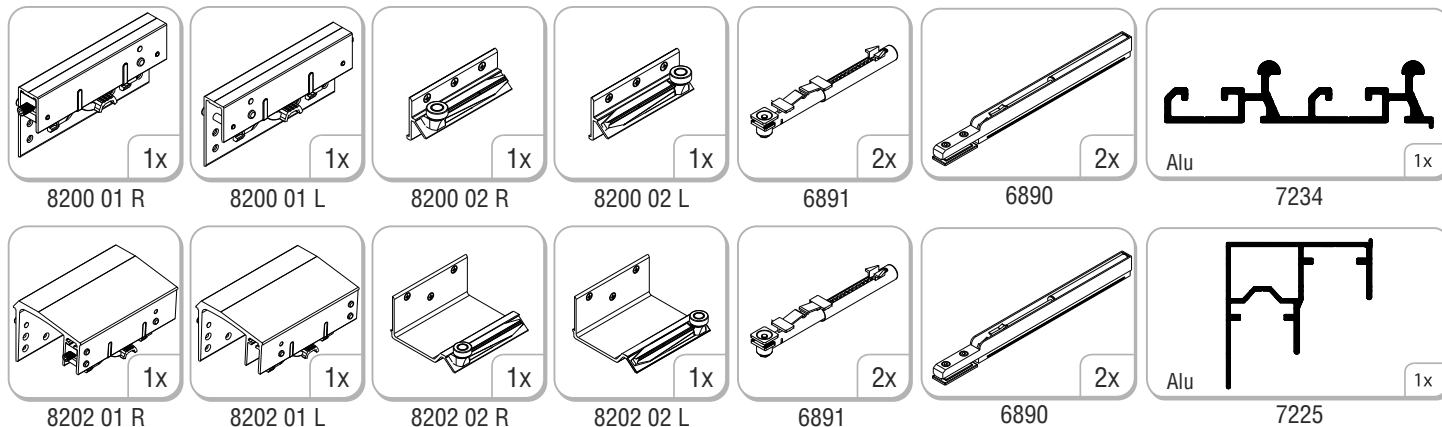
Sliding door system 8200 SFT

All cabinet designs

Parts of set pack contents



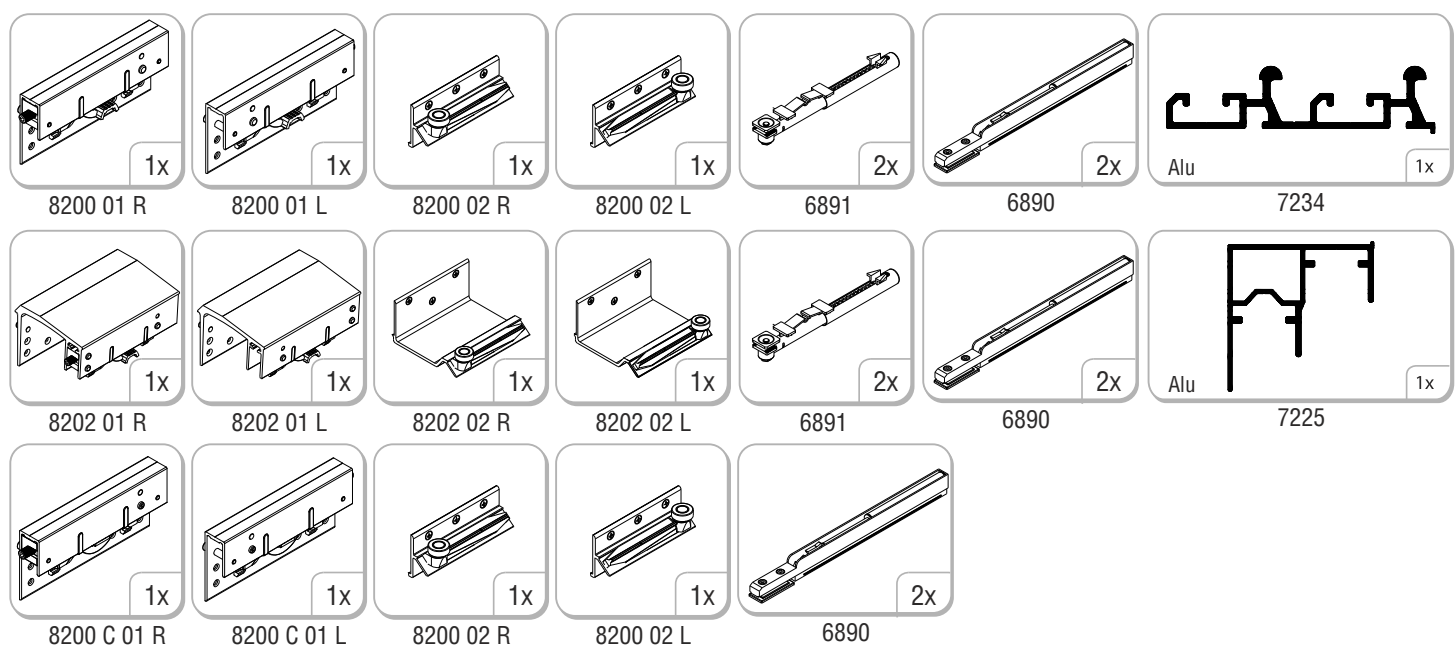
Set for 2 door (8220 SFT) EB = 30 16 - 18 - 19 - 20 mm wooden panels



- 8200 01 R internal door running component right
- 8200 01 L internal door running component left
- 8200 02 R internal door bottom slider right
- 8200 02 L internal door bottom slider left
- 6891 internal door bottom stopper - dumper
- 6890 internal door soft closer
- 7234 aluminium top rail
- 7225 aluminium bottom rail

- 8202 01 R external door running component right
- 8202 01 L external door running component left
- 8202 02 R external door bottom slider right
- 8202 02 L external door bottom slider left
- 6891 external bottom stopper - dumper
- 6890 external soft closer

Set for 3 door (8220 SFT + 8200C) EB = 30 16 - 18 - 19 - 20 mm wooden panels



- 8200 01 R internal door running component right
- 8200 01 L internal door running component left
- 8200 02 R internal door bottom slider right
- 8200 02 L internal door bottom slider left
- 6891 internal door bottom stopper - dumper
- 6890 internal door soft closer
- 8202 01 R external door running component right
- 8202 01 L external door running component left
- 8202 02 R external door bottom slider right
- 8202 02 L external door bottom slider left
- 6891 external bottom stopper - dumper
- 6890 external soft closer
- 7234 aluminium top rail
- 7225 aluminium bottom rail

- 8200 C 01 R internal door running component without activatore right
- 8200 C 01 L internal door running component without activatore left
- 8200 02 R internal door bottom slider right
- 8200 02 L internal door bottom slider left
- 6890 internal soft closer

Recommended installation dimensions. All technical details are subject to change by Albaturo Co.

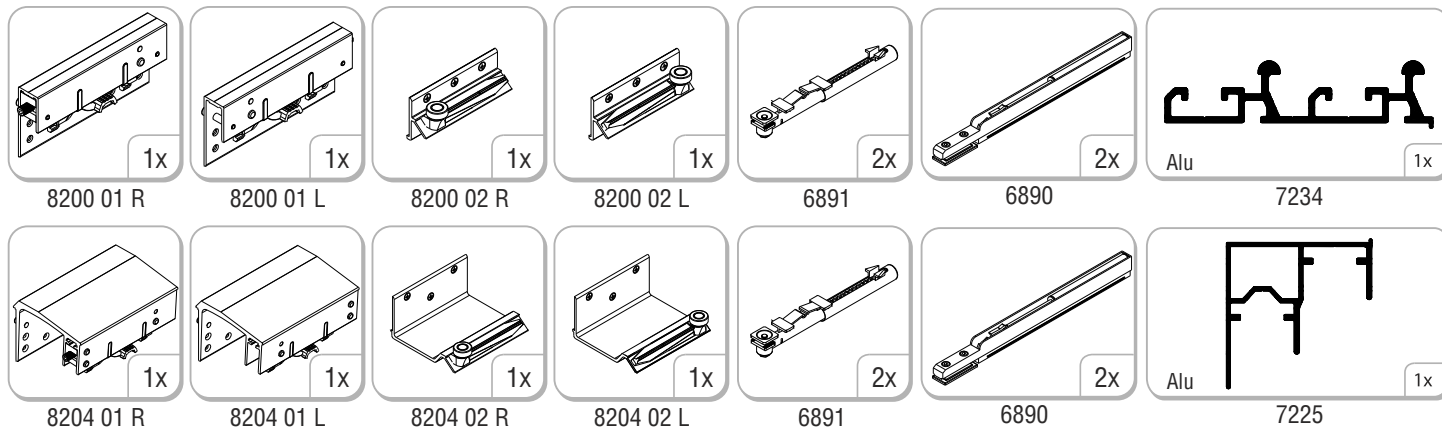
Sliding door system 8200 SFT

All cabinet designs

Parts of set pack contents



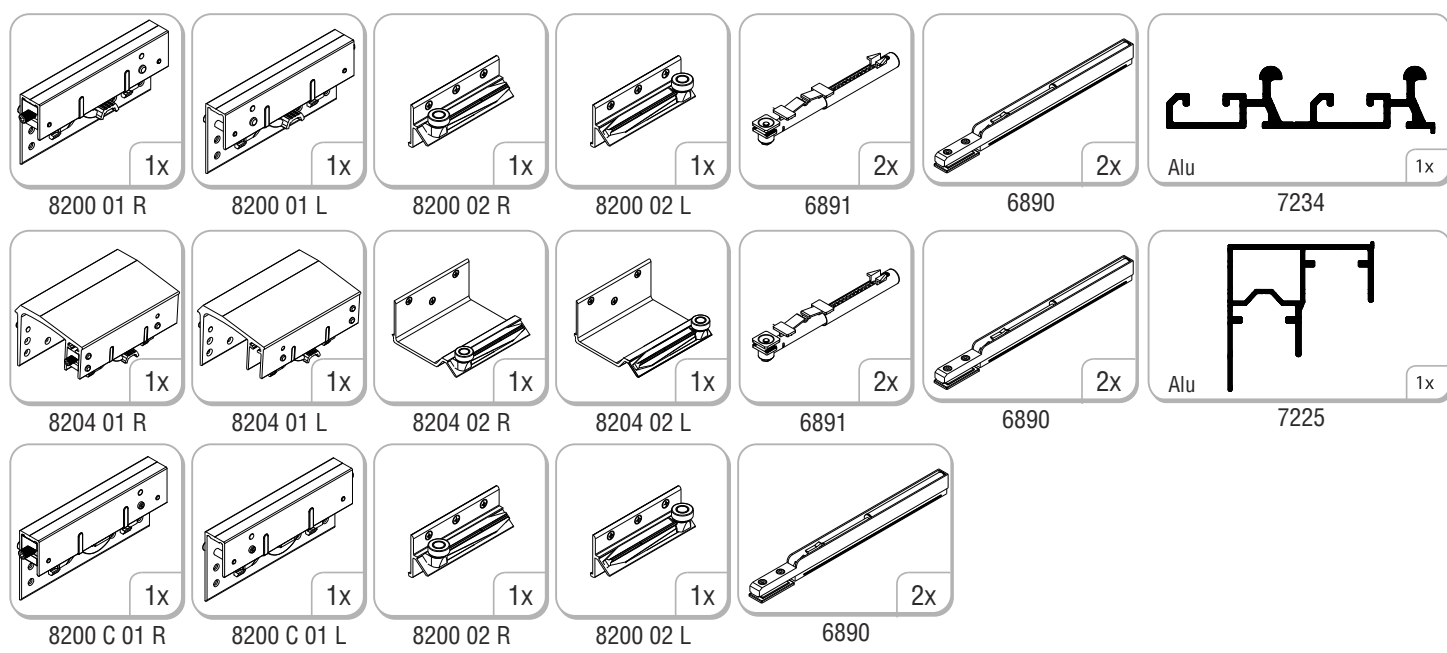
Set for 2 door (8230 SFT) EB = 36 22 - 25 - 28 mm wooden panels



- 8200 01 R internal door running component right
- 8200 01 L internal door running component left
- 8200 02 R internal door bottom slider right
- 8200 02 L internal door bottom slider left
- 6891 internal door bottom stoper - dumper
- 6890 internal door soft closer
- 7234 aluminium top rail
- 7225 aluminium bottom rail

- 8204 01 R external door running component right
- 8204 01 L external door running component left
- 8204 02 R external door bottom slider right
- 8204 02 L external door bottom slider left
- 6891 external bottom stoper - dumper
- 6890 external soft closer

Set for 3 door (8230 SFT + 8200C) EB = 36 22 - 25 - 28 mm wooden panels



- 8200 01 R internal door running component right
- 8200 01 L internal door running component left
- 8200 02 R internal door bottom slider right
- 8200 02 L internal door bottom slider left
- 6891 internal door bottom stoper - dumper
- 6890 internal door soft closer
- 8204 01 R external door running component right
- 8204 01 L external door running component left
- 8204 02 R external door bottom slider right
- 8204 02 L external door bottom slider left
- 6891 external bottom stoper - dumper
- 6890 external soft closer
- 7234 aluminium top rail
- 7225 aluminium bottom rail

- 8200 C 01 R internal door running component without activatore right
- 8200 C 01 L internal door running component without activatore left
- 8200 02 R internal door bottom slider right
- 8200 02 L internal door bottom slider left
- 6890 internal soft closer

Recommended installation dimensions. All technical details are subject to change by Albaturo Co.

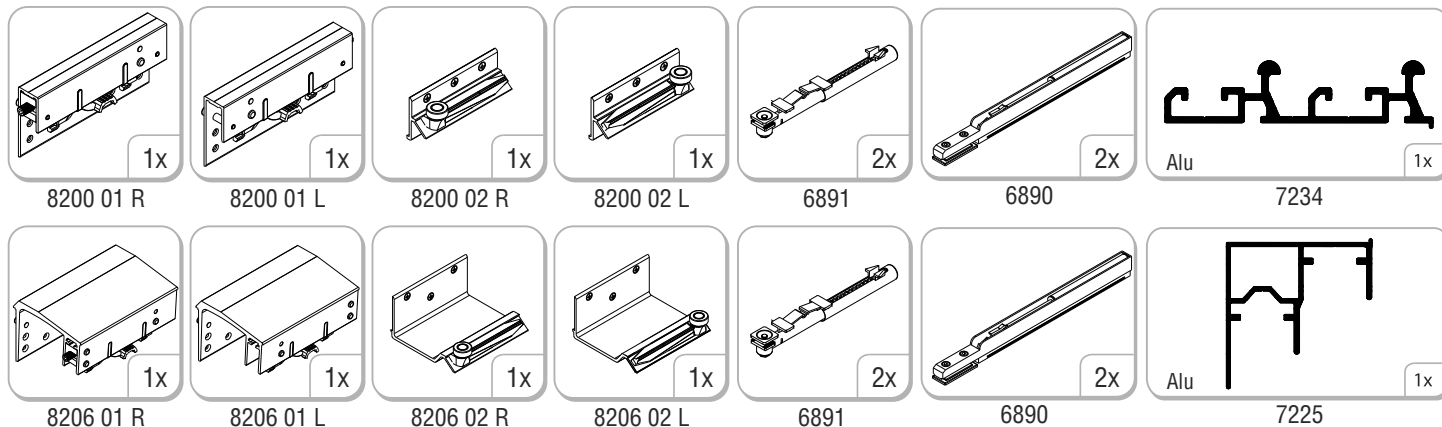
Sliding door system 8200 SFT

All cabinet designs

Parts of set pack contents



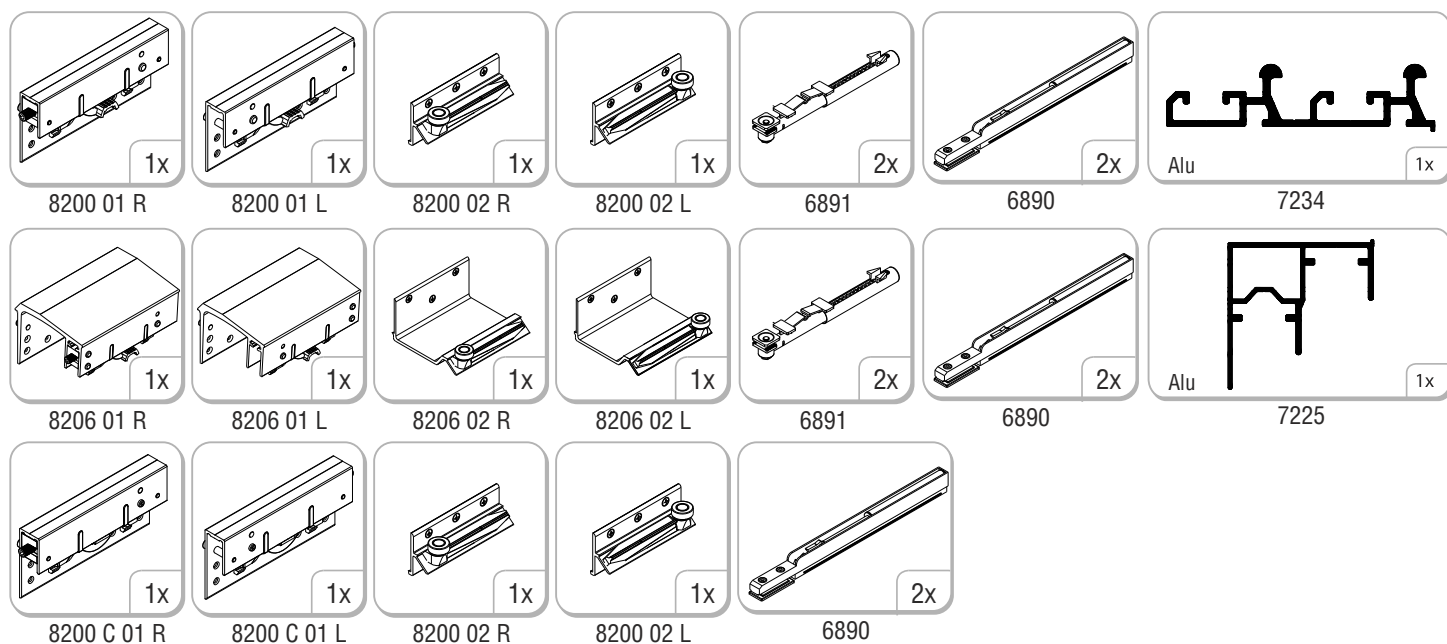
Set for 2 door (8235 SFT) EB = 45 30 - 35 mm wooden panels



8200 01 R internal door running component right
 8200 01 L internal door running component left
 8200 02 R internal door bottom slider right
 8200 02 L internal door bottom slider left
 6891 internal door bottom stopper - dumper
 6890 internal door soft closer
 7234 aluminium top rail
 7225 aluminium bottom rail

8206 01 R external door running component right
 8206 01 L external door running component left
 8206 02 R external door bottom slider right
 8206 02 L external door bottom slider left
 6891 external bottom stopper - dumper
 6890 external soft closer

Set for 3 door (8235 SFT + 8200C) EB = 45 30 - 35 mm wooden panels



8200 01 R internal door running component right
 8200 01 L internal door running component left
 8200 02 R internal door bottom slider right
 8200 02 L internal door bottom slider left
 6891 internal door bottom stopper - dumper
 6890 internal door soft closer
 8206 01 R external door running component right
 8206 01 L external door running component left
 8206 02 R external door bottom slider right
 8206 02 L external door bottom slider left
 6891 external bottom stopper - dumper
 6890 external soft closer
 7234 aluminium top rail
 7225 aluminium bottom rail

8200 C 01 R internal door running component without activatore right
 8200 C 01 L internal door running component without activatore left
 8200 02 R internal door bottom slider right
 8200 02 L internal door bottom slider left
 6890 internal soft closer

Recommended installation dimensions. All technical details are subject to change by Albaturo Co.

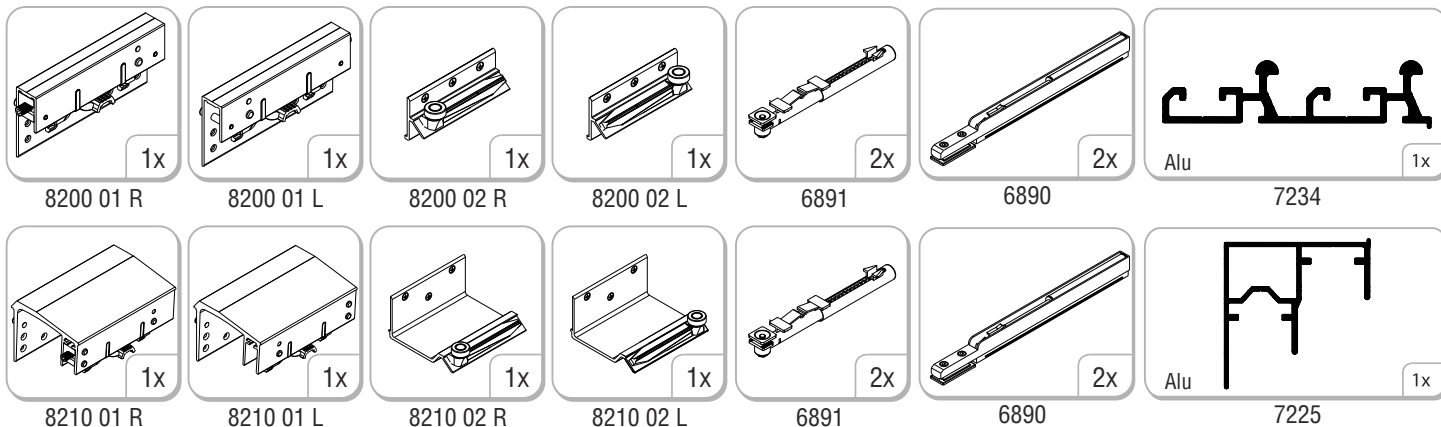
Sliding door system 8200 SFT

All cabinet designs

Parts of set pack contents



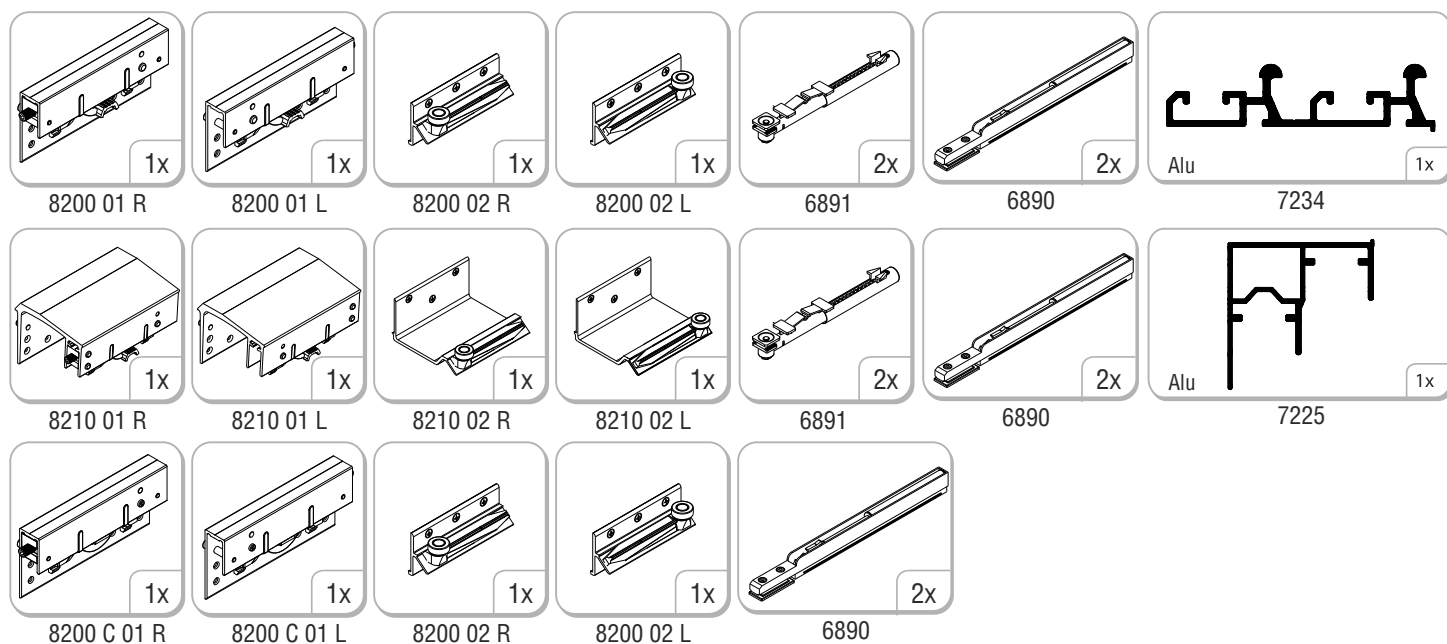
Set for 2 door (8250 SFT) EB = 59 40 - 44 - 50 mm wooden panels



8200 01 R internal door running component right
 8200 01 L internal door running component left
 8200 02 R internal door bottom slider right
 8200 02 L internal door bottom slider left
 6891 internal door bottom stopper - dumper
 6890 internal door soft closer
 7234 aluminium top rail
 7225 aluminium bottom rail

8210 01 R external door running component right
 8210 01 L external door running component left
 8210 02 R external door bottom slider right
 8210 02 L external door bottom slider left
 6891 external bottom stopper - dumper
 6890 external soft closer

Set for 3 door (8250 SFT + 8200C) EB = 59 40 - 44 - 50 mm wooden panels



8200 01 R internal door running component right
 8200 01 L internal door running component left
 8200 02 R internal door bottom slider right
 8200 02 L internal door bottom slider left
 6891 internal door bottom stopper - dumper
 6890 internal door soft closer
 8210 01 R external door running component right
 8210 01 L external door running component left
 8210 02 R external door bottom slider right
 8210 02 L external door bottom slider left
 6891 external bottom stopper - dumper
 6890 external soft closer
 7234 aluminium top rail
 7225 aluminium bottom rail

8200 C 01 R internal door running component without activator right
 8200 C 01 L internal door running component without activator left
 8200 02 R internal door bottom slider right
 8200 02 L internal door bottom slider left
 6890 internal soft closer

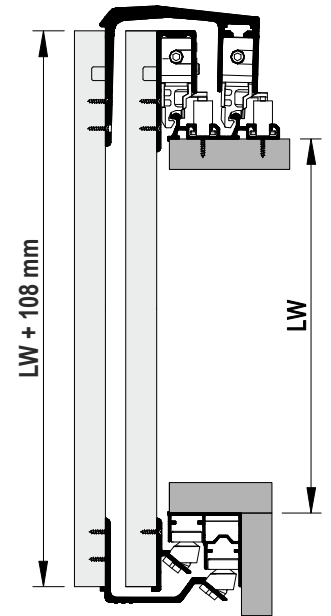
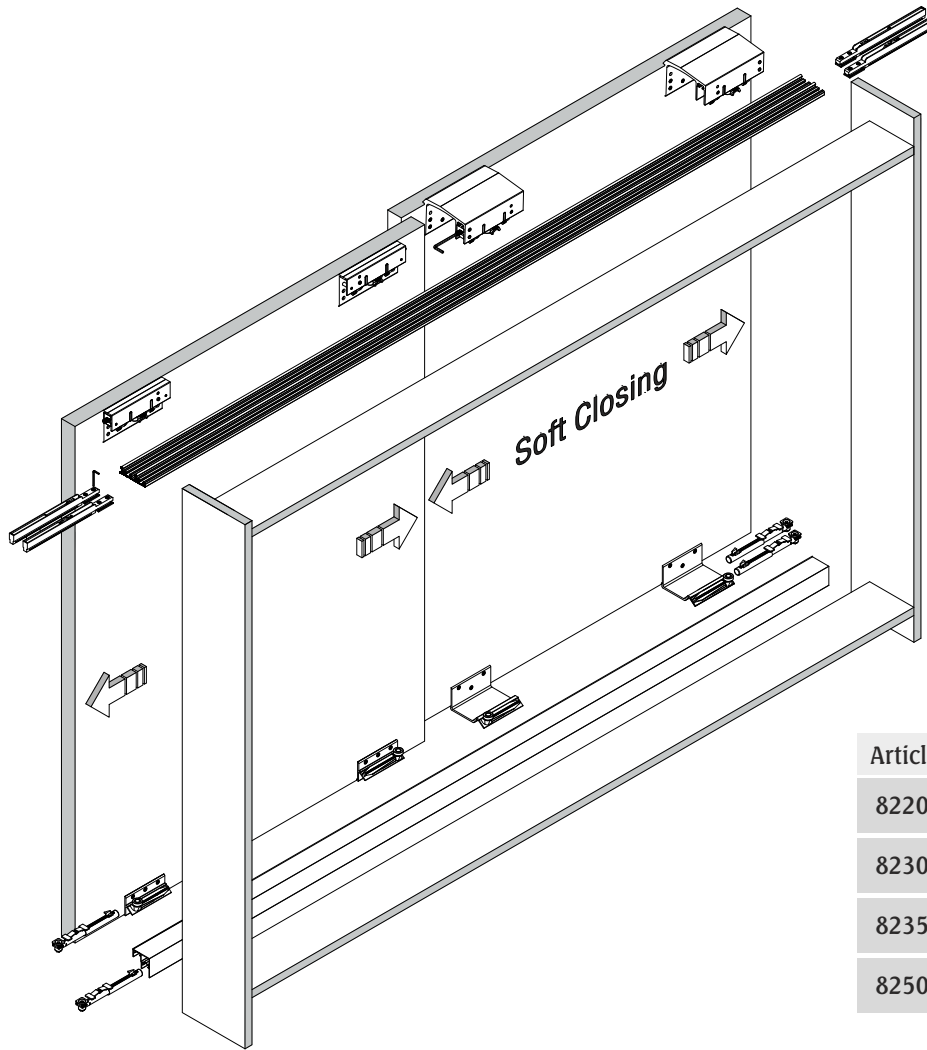
Recommended installation dimensions. All technical details are subject to change by Albaturo Co.

Sliding door system 8200 SFT

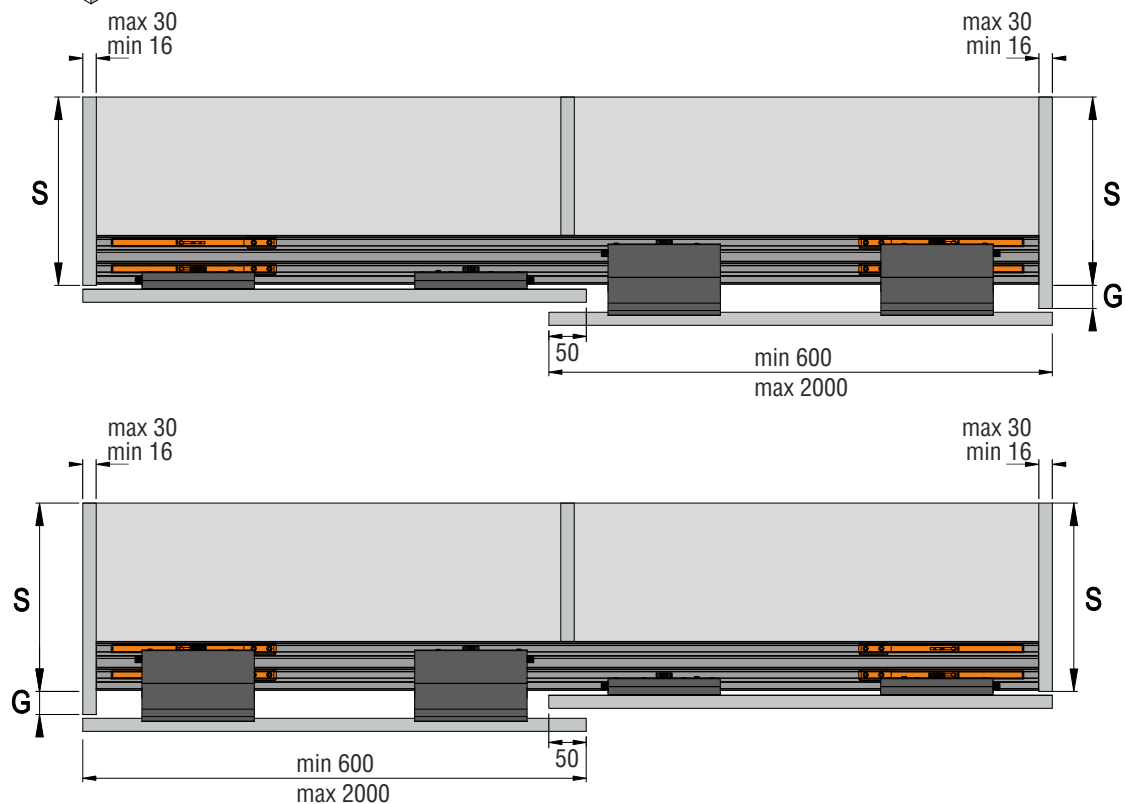
Two door design with 8200 SFT (closing and colliding direction)



Door opening options



Article	EB	S	G
8220 SFT	30	< 350	33
8230 SFT	36	< 350	39
8235 SFT	45	< 350	48
8250 SFT	59	< 350	62

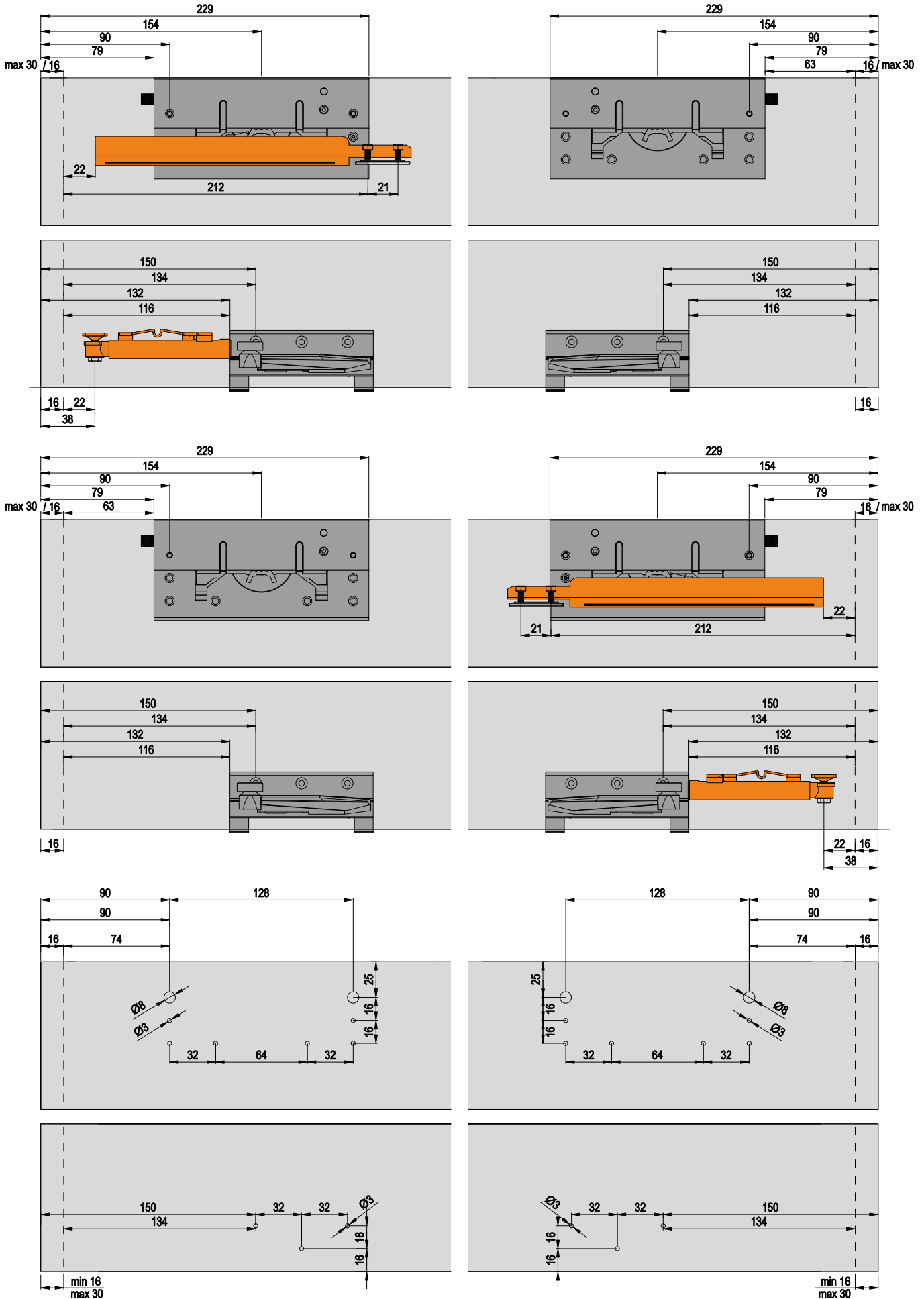


Recommended installation dimensions. All technical details are subject to change by Albaturo Co.

Sliding door system 8200 SFT

Two door - All cabinet designs

Internal door options

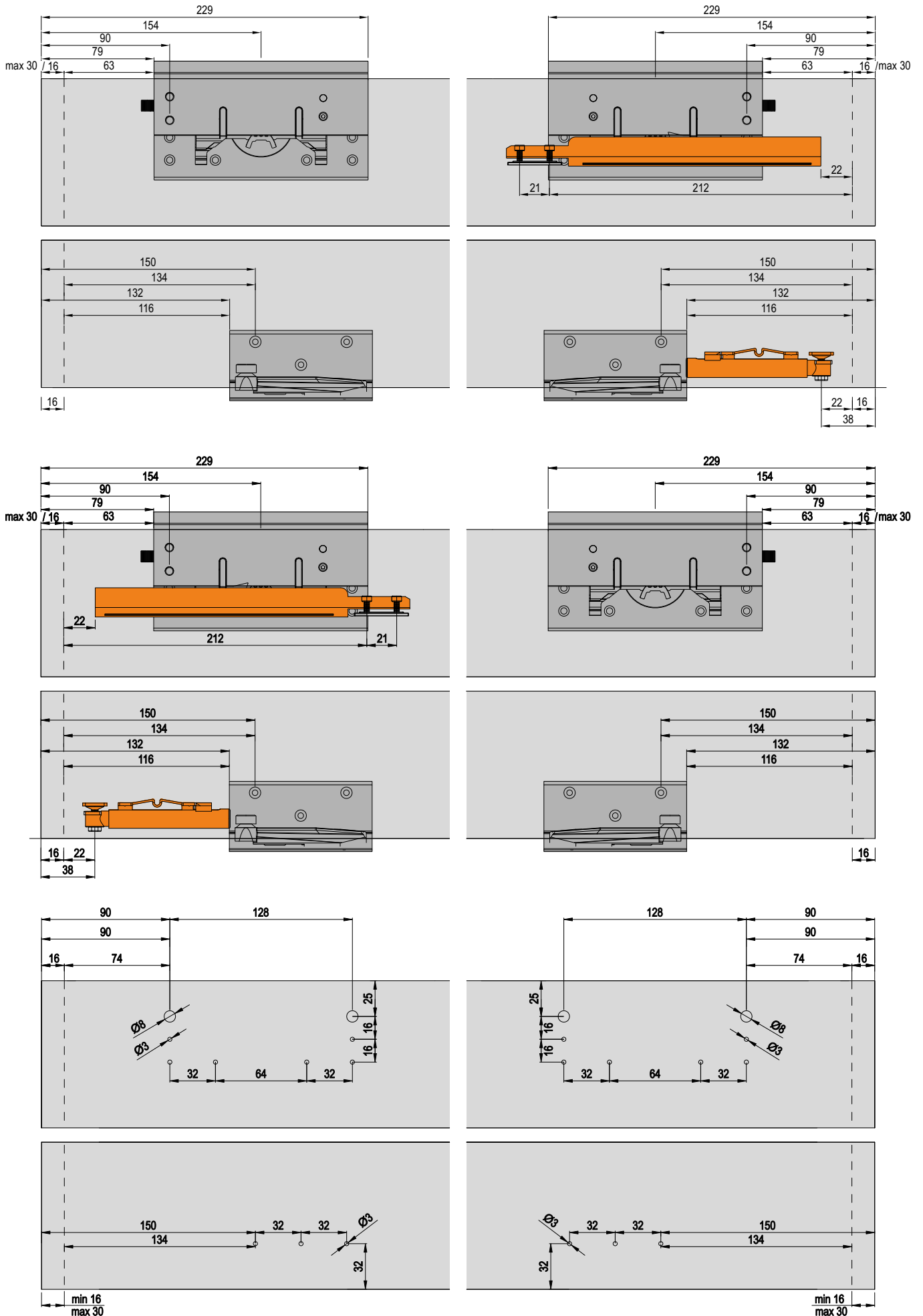


Recommended installation dimensions. All technical details are subject to change by Albaturo Co.

Sliding door system 8200 SFT

Two door - All cabinet designs

External door options



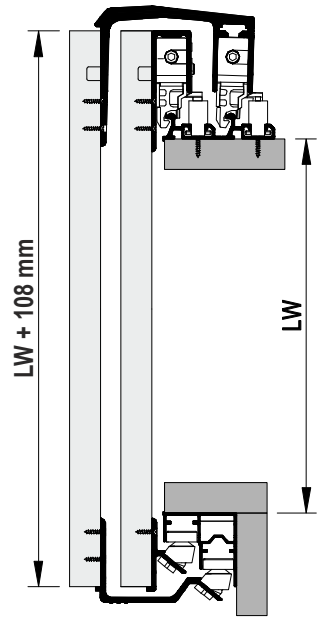
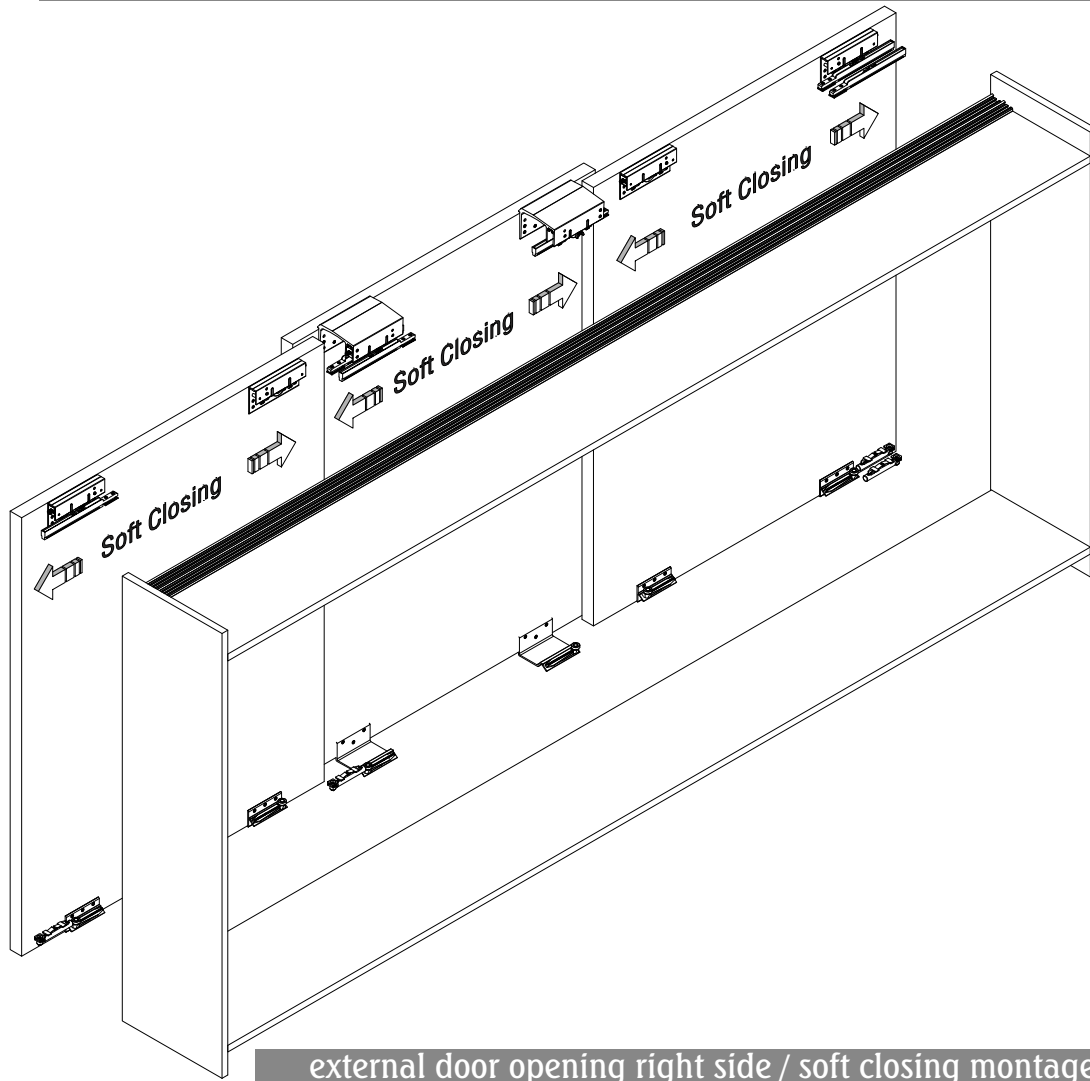
Recommended installation dimensions. All technical details are subject to change by Albaturo Co.

Sliding door system 8200 SFT

Three door design with 8200 SFT(closing and colliding direction)

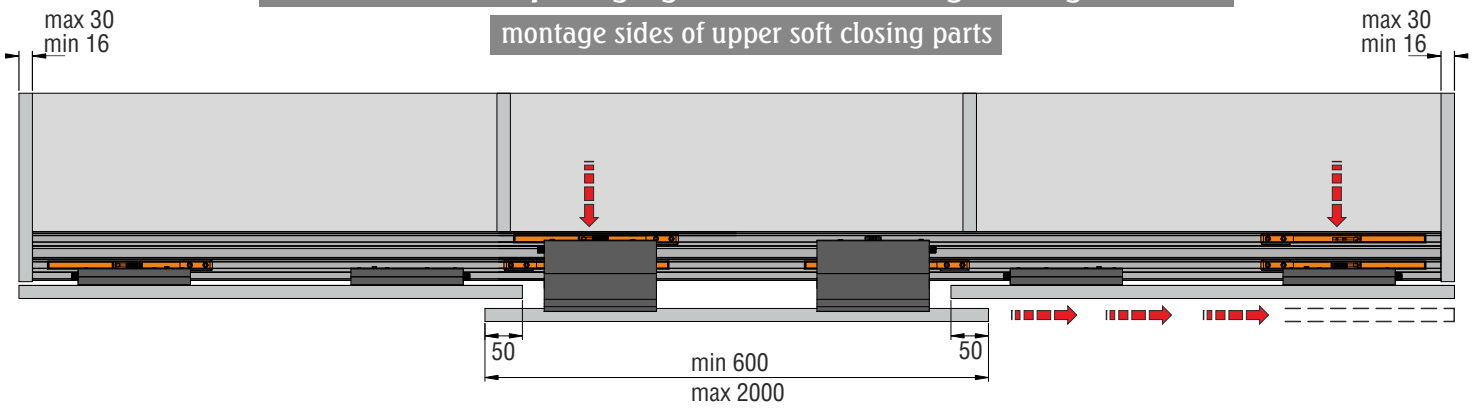


Door opening options



external door opening right side / soft closing montage sides

montage sides of upper soft closing parts



montage sides of bottom soft closing parts



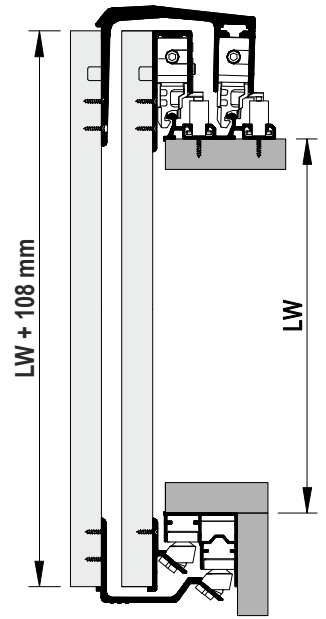
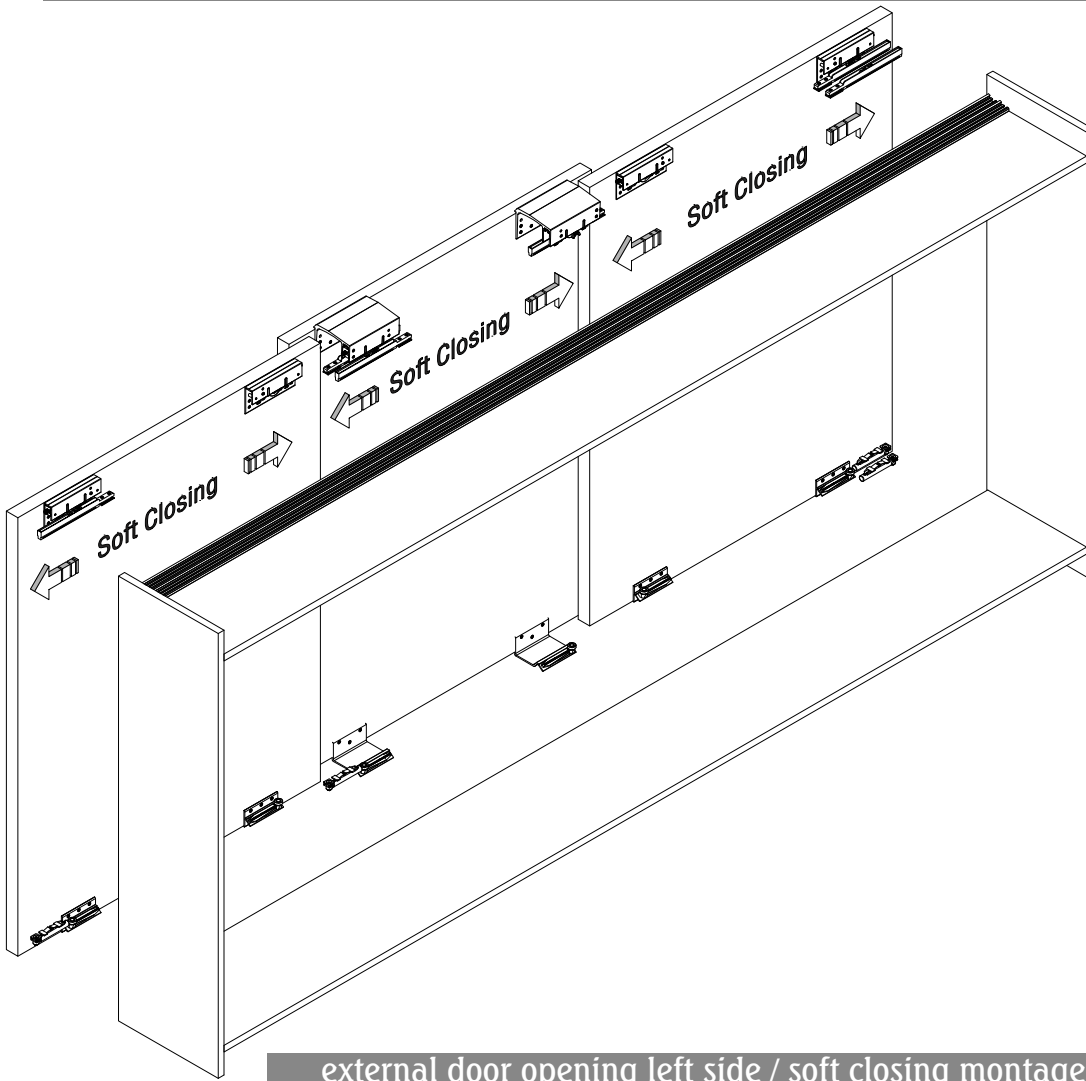
Recommended installation dimensions. All technical details are subject to change by Albaturo Co.

Sliding door system 8200 SFT

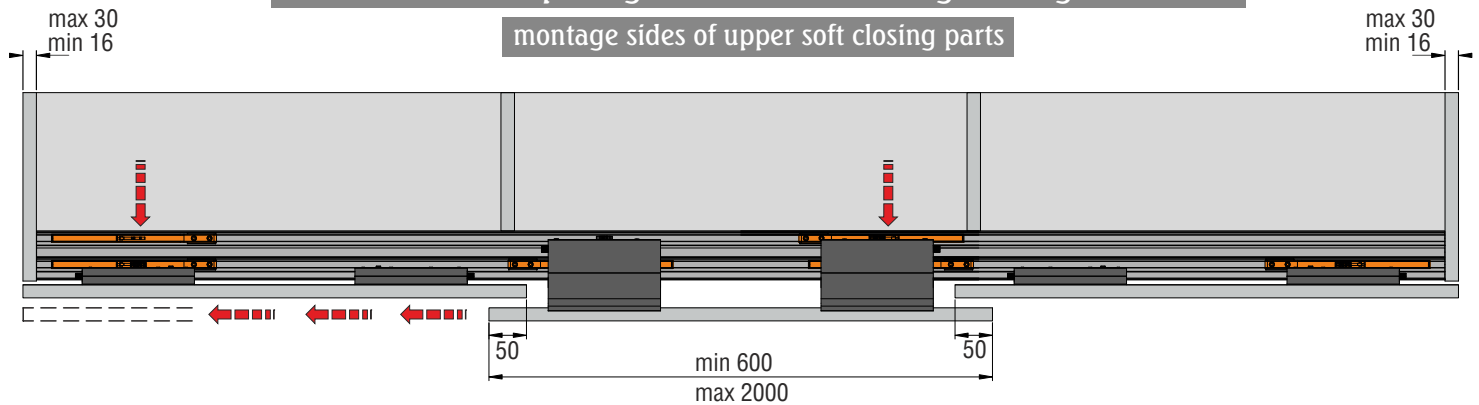
Three door design with 8200 SFT(closing and colliding direction)



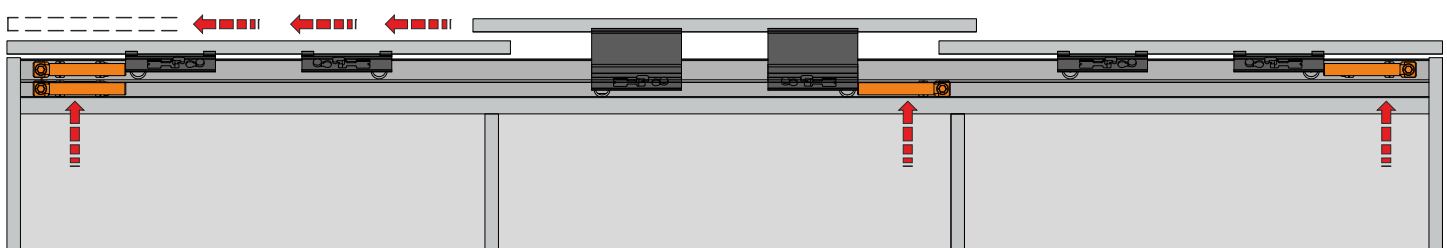
Door opening options



external door opening left side / soft closing montage sides



montage sides of bottom soft closing parts



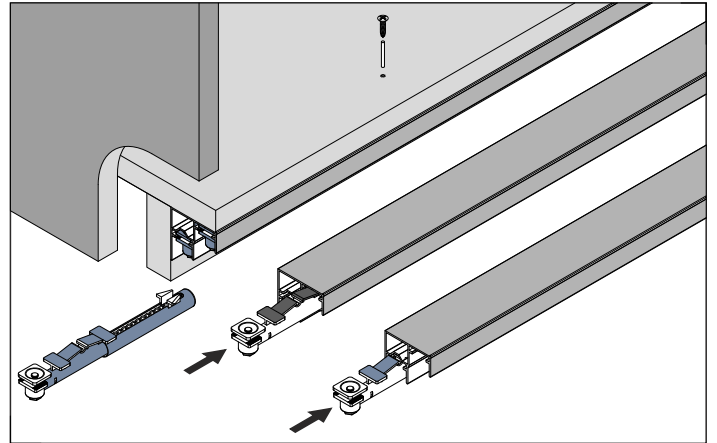
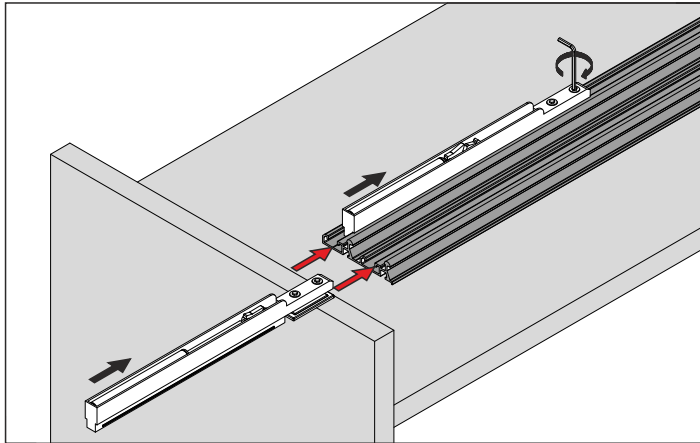
Recommended installation dimensions. All technical details are subject to change by Albaturo Co.

Sliding door system 8200 SFT

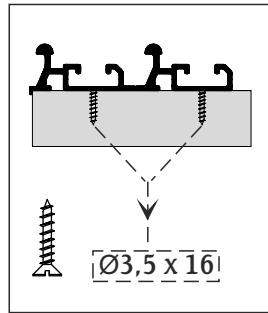
Two - Three door design (closing and colliding direction)
Installation parts



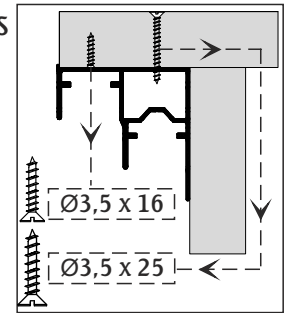
Installation



- 1- Installing upper dampers
- 2- Installing running profile

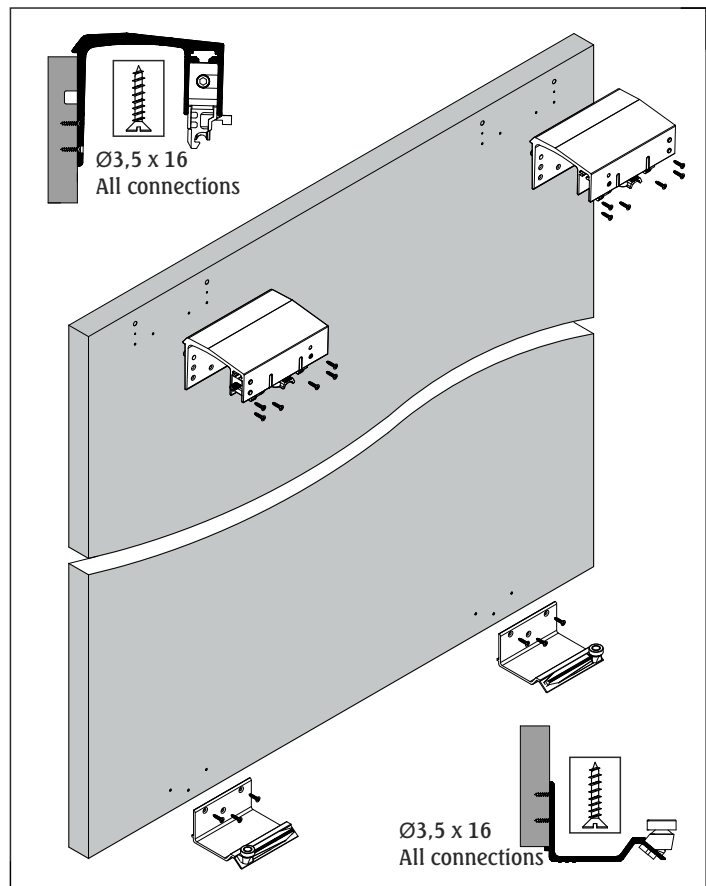
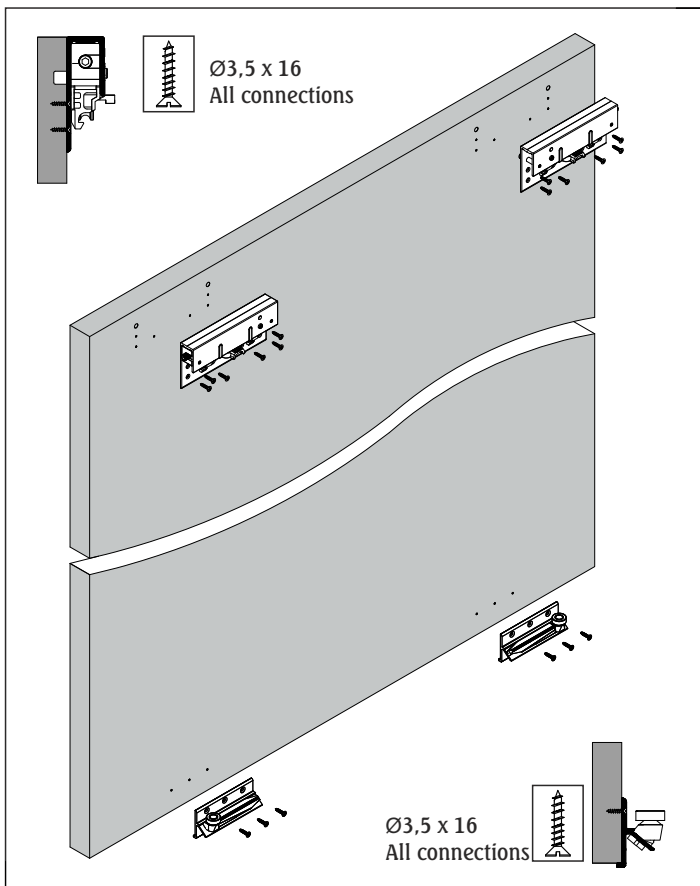


- 3- Installing bottom dampers
- 4- Installing guiding profile



Internal door

External door



5- Internal door ; Installing Runnig and guiding components

6- External door ; Installing Runnig and guiding components

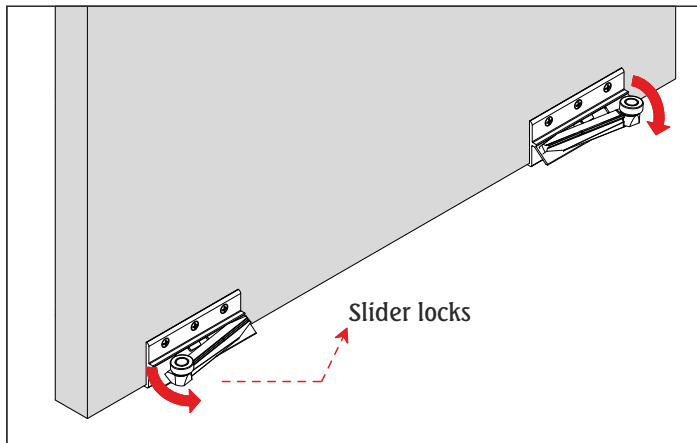
Recommended installation dimensions. All technical details are subject to change by Albaturo Co.

Sliding door system 8200 SFT

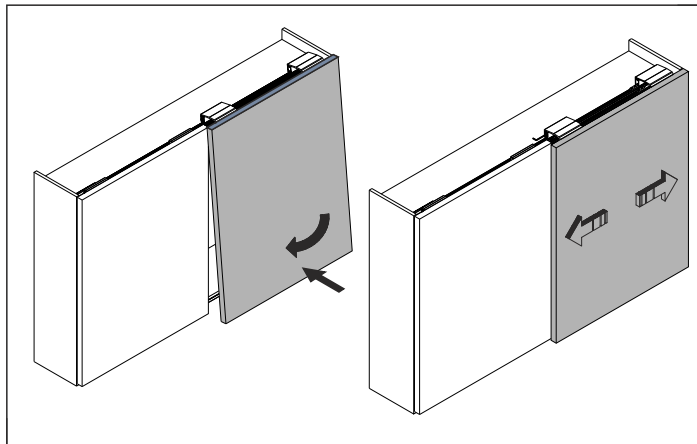
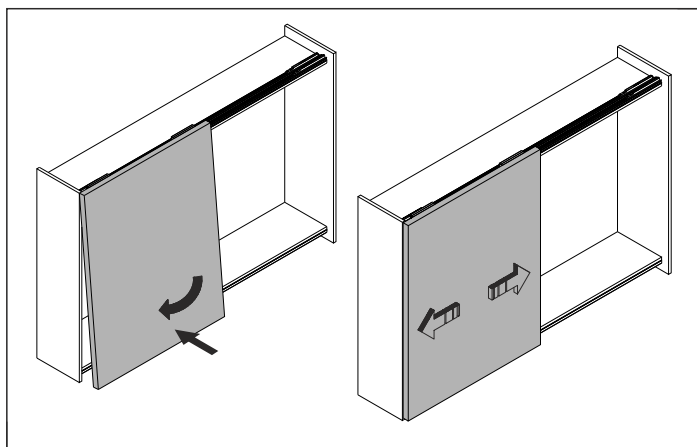
Two - Three door design (closing and colliding direction)
Installation parts



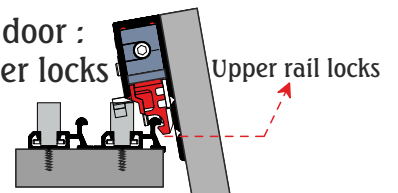
Door montage options



Slider locks

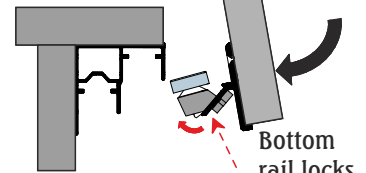


7- First of all , internal door :
must open bottom slider locks



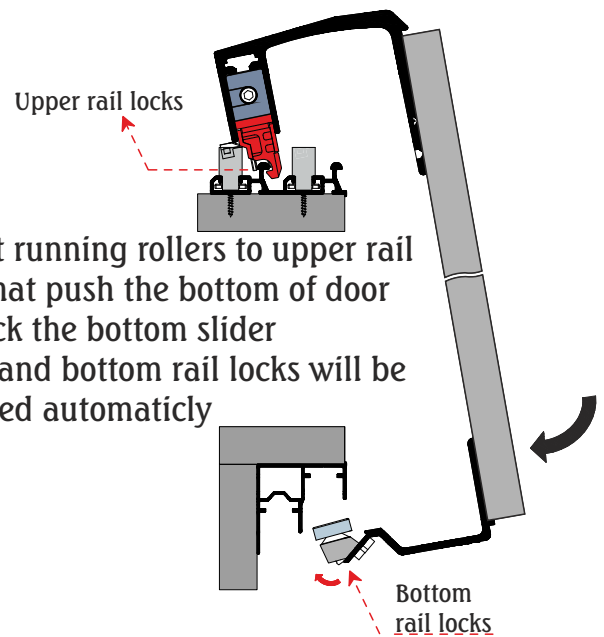
Upper rail locks

8- Put running rollers to upper rail
After that push the bottom of door
and lock the bottom slider
Upper and bottom rail locks will be
activated automaticly



Bottom rail locks

9- Secondly , external door ;
must open bottom slider locks

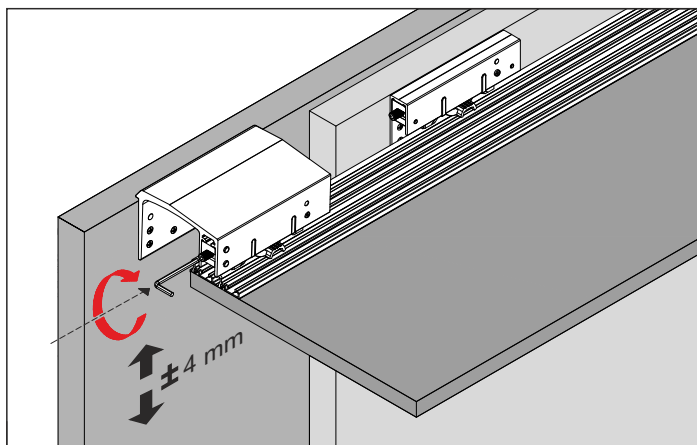


Upper rail locks

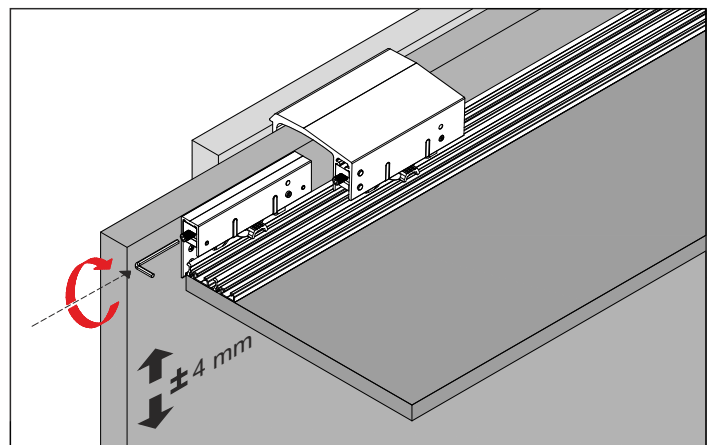
Bottom rail locks

10- Put running rollers to upper rail
After that push the bottom of door
and lock the bottom slider
Upper and bottom rail locks will be
activated automaticly

11- Adjusting of door height



± 4 mm



± 4 mm

Recommended installation dimensions. All technical details are subject to change by Albaturo Co.